

Vacuum unit

Sistem Cube

Area of use:

domestic

apartments and micro spaces



Max. surface to be cleaned: **120 m²**

1 single user



Pipe net Ø 50 mm



IP4



Sistem Cube is the world's smallest central vacuum cleaner for cleaning rooms up to 120m² and systems involving a single user.

A concentrate of healthiness and suction power that can be hidden under the sink or any available space thanks to its compact dimensions of 30x28x30 cm.

Set-up template makes installation quick and convenient. Squared design that makes it elegant and discreet, the invisible cleaning companion.

The Sistem Cube central vacuum cleaner is designed specifically for domestic dust extraction.



Available motorisation

8300.0	Sistem Cube	up to 120 m ²
--------	-------------	--------------------------

Complements

8300.10	Template Sistem Cube	predisposition
---------	----------------------	----------------

Express preparation

The singularity of Sistem Cube allows the central Hoover system to be set up quickly, adapting to different installation choices.



Pipe network construction

Proceed by making a \varnothing 50 mm pipe net and position the inlet valves, with the only constraint not to exceed the maximum number of 3 inlet points.



Positioning of the template

Install the installation template, Art. No. 8300.10 to be ordered separately, where you wish to position Sistem Cube.

A Outdoor installation



The IP44 degree of protection allows Sistem Cube to be installed outdoor without specific precaution. When arranging the pipes and the pre-wired template, take the desired positioning into account.

B Indoor installation



The compact dimensions of Sistem Cube allow it to be installed anywhere, even inside furniture. The chosen room can be without ventilation, as the direct cooling motor uses air from the inlet valves.

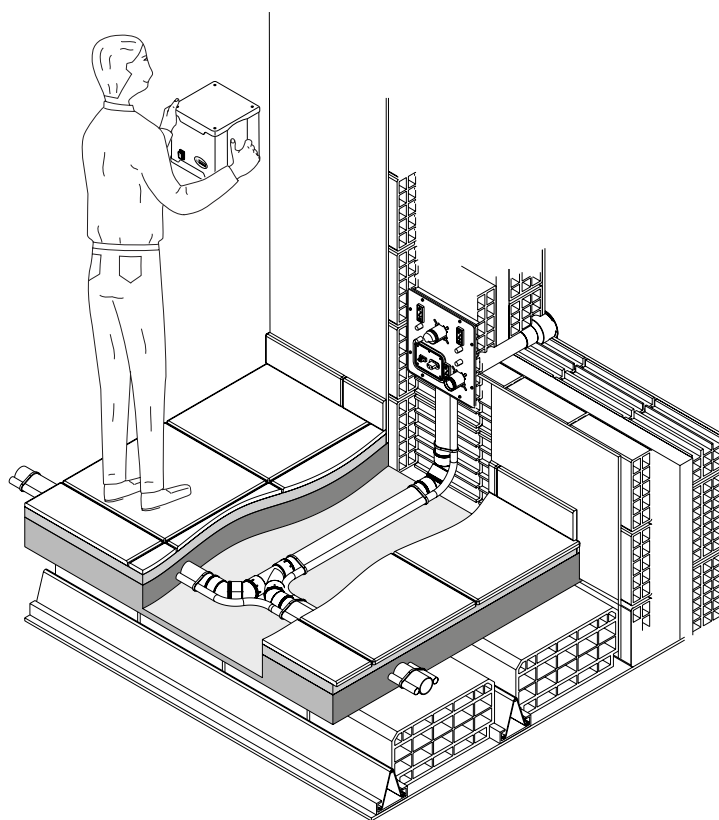
Completion within everyone's reach

Sistem Cube is also a **versatile solution in the installation phase** and allows centralised vacuum cleaning in any room.

Set-up is simple and straightforward: all you have to do is make a classic pipe net and arrange the inlet valves.

The pre-wired template allows the system to be completed at any time and by anyone, simply by attaching the central vacuum cleaner. No technical interventions by specialised personnel are required, the electrical wiring and all connections have already been made during the set-up. **By touching the power button, Sistem Cube is ready to vacuum.**

The template also manages the air inlet and outlet flow, including the **expulsion of micro-dust to the outside.**



Cleaning kit included

The Sistem Cube comes with a kit for major household cleaning tasks.

The kit includes a floor and hard surface brush, corner nozzle and dusting brush. In addition, the holder for accessories allows for tidy storage of the hose and accessories when cleaning is complete.









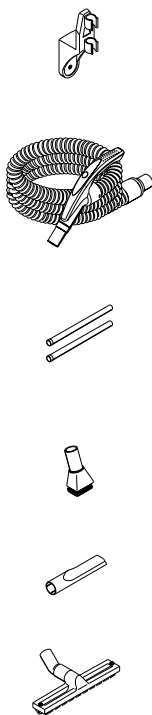
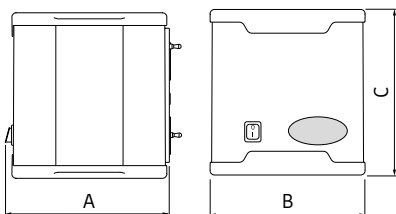

	7037.9	9m flexible hose	1
	7038.0M	Fitting pipe inlet	1
	7039.1	Curved handgrip	1
	7040.0	Pair of chrome pipes	1
	7047.1	Basic floor brush	1
	7045.0	Corner nozzle	1
	7043.0	Basic dusting brush	1
	7041.0	Mini holder for accessories	1



Table of measurements and technical data

Sistem Cube is available in a single motorisation, capable of cleaning up to 120m² of surface area. The small footprint and pre-wired template guarantee installation even in the smallest spaces.



MODEL		Sistem Cube
ARTICLE		8300.0
Recommended aspirant outlets		3
Max. surface to be cleaned		120 m ²
Users		1
Micro-dust vent 		YES
On-board inlet valve		NO
Air inlet/Air outlet	Ø mm	50
Degree of protection	IP	X4
Power supply	V ac	220/240
Frequency	Hz	50/60
Motor power	kW	1
Absorption	A	4,5
Power supply sockets	V dc	12
Maximum air flow rate	m ³ /h	178
Max. depression	mbar	245
Dust bag capacity	l	15
Weight	kg	4
Measurement A	mm	300
Measurement B	mm	280
Measurement C	mm	300
Noise level lower than	dB(A)	70
Cleaning kit		included
<ul style="list-style-type: none"> • Hose 9m • Curved plastic handgrip • Pair of chrome- tubes • Basic floor brush • Basic corner nozzle • Basic dusting brush • Mini holder for accessories 		

N.B.: Rated noise values, may vary depending on environment and type of installation.

Omologazioni



Marking of conformity with European Community Directives.



Protection degree



Electrical insulation
CLASS II

TECNO PRIME LINE - DEVICES COMPLYING WITH THE FOLLOWING STANDARDS:

RELEVANT EEC DIRECTIVES:

- 2006/42/CE
- 2006/95/CE
- 2004/108/CE

APPLIED HARMONISED STANDARDS:

- EN 60335-1 : 2012
- EN 60335-2-2 : 2010
- EN 61000-3-2 : 2006 + A2 : 2009
- EN 61000-3-3 : 2008
- EN 55014-1 : 2006 + A1 : 2009
- EN 55014-2 : 1997 + A2 : 2008
- EN 62233: 2008

ROHS DIRECTIVE 2002/95

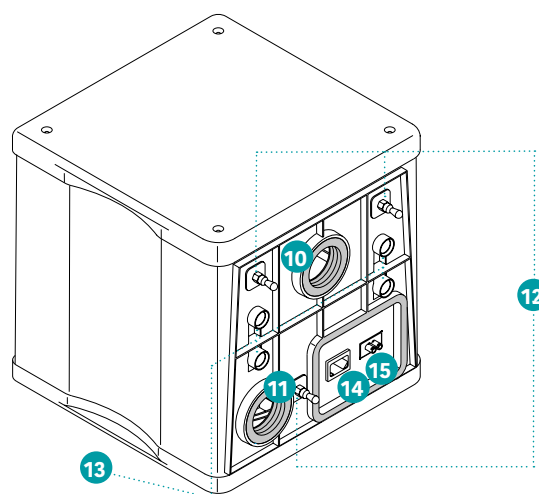
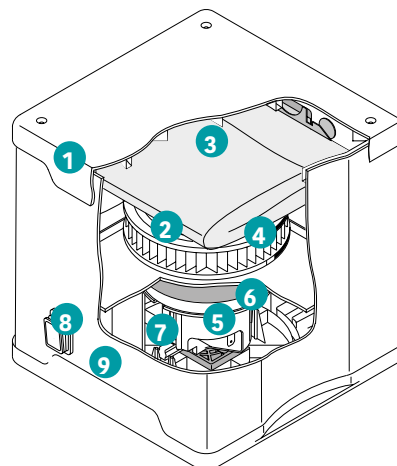
COMPLIANCE TO REACH DIRECTIVES.

N.B.: strictly adhere to the regulations in force for installation

Technical summary table and section

SUCTION UNIT

1. PP-ABS plastic shell
2. Sound-absorbing shell
3. Dust collection filter bag
4. Motor safety filter
5. Motor-impeller unit, consisting of single-phase electric motor with brushes and impeller pack
6. Soft Start electronic board for soft motor start-up
7. Motor safety, with automatic switch-off and reset
8. Central vacuum power switch
9. Safety temperature sensor protection requiring manual reset
10. Dust inlet
11. Micro-dust vent
12. Centring pins
13. Centring holes
14. Central vacuum cleaner power supply connector
15. Suction inlet power supply 12 V dc



Sistem Cube includes the cleaning kit and is compatible with all Sistem Air accessories.

Performance Graphs

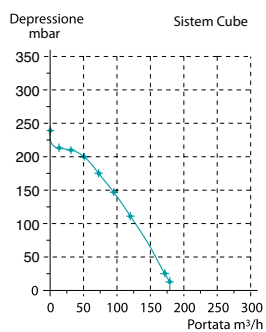
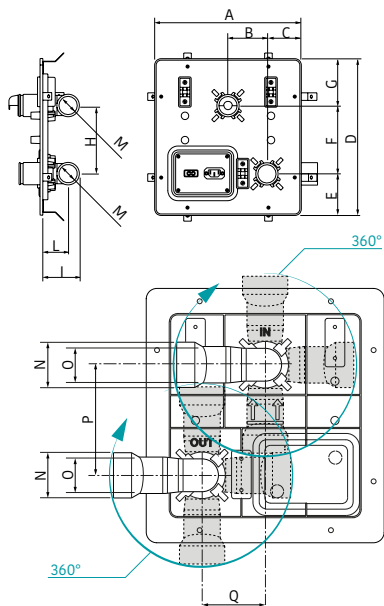
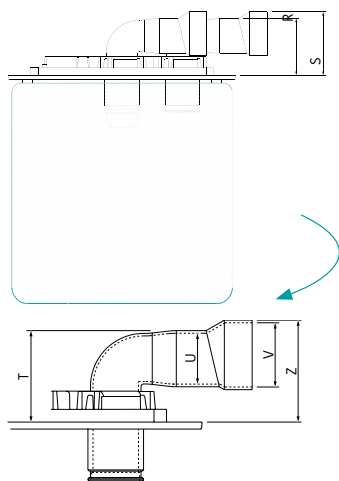


Table of measurements and technical data arrangement template



Installation angles obtainable by rotating the intake and exhaust ports.

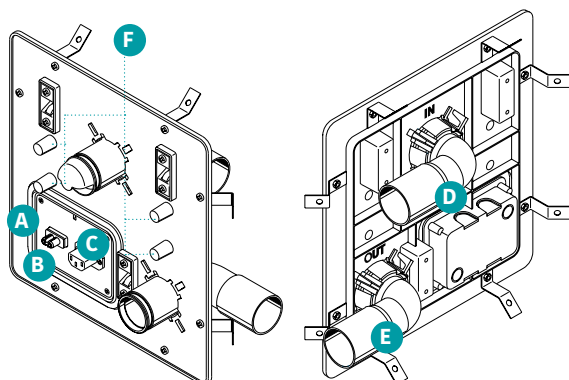


MODEL	Predisposition jig	
ARTICLE	8300.10	
Alimentazione	V ac	220/240
Peso	kg	1
Rotazione imbrocchi IN / OUT	grad	360°
Measure A	mm	290
Measure B	mm	77
Measure C	mm	68
Measure D	mm	310
Measure E	mm	82
Measure F	mm	135
Measure G	mm	93
Measure H	mm	135
Measure I	mm	72
Measure L	mm	50
Measure M	∅ mm	40
Measure N	∅ mm	50,8 (2")
Measure O	∅ mm	40
Measure P	mm	135
Measure Q	mm	77
Measure R	mm	72
Measure S	mm	81
Measure T	mm	72
Measure U	∅ mm	40
Measure V	∅ mm	50,8 (2")
Measure Z	mm	81

Technical table and section

DIMA DI PREDISPOSIZIONE

- A. Electric box
- B. Micro line connector
- C. Power connector
- D. Dust input
- E. Micro-dust venting
- F. Centering pins

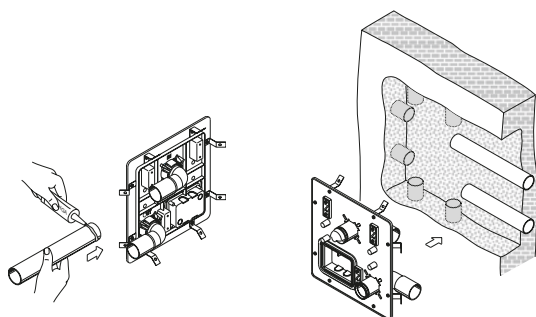


Basic installation principles

Below are the basics for the correct installation of the Sistem Cube central vacuum cleaner. The IP44 degree of protection allows outdoor installation as long as it is protected from the weather. In the case of a building on several levels, we recommend installation always on the lowest level.

Installation of template and pipe net

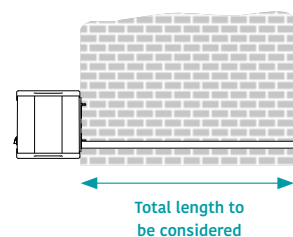
Glue the pre-wired template to the tubular mesh and proceed with fixing flush with the plaster.



Air outlet dimensioning

The air outlet must be dimensioned for the length of development according to the table:

Air outlet line length	Diameter Ø
max 4 m	50 mm
oltre 4 m	63 mm



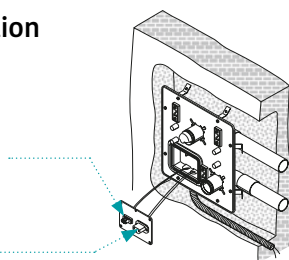
Use the same diameter along the entire length of the drain. Example:

3.5 m long outlet = all Ø 50 mm
8 m long outlet = all Ø 63 mm

Electrical connection

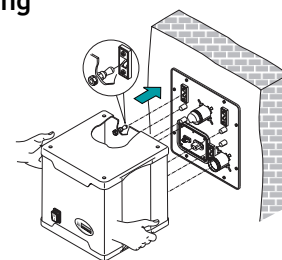
Power supply
12V suction sockets

Power supply
AC 230V



Central vacuum unit fixing

Use the centring pins to engage Sistem Cube and complete the installation.



Spare parts table

The spare parts available for the Sistem Cube central vacuum cleaner are listed below.

Model	Article	Security filter	Bags	Electronic board	Motor
Sistem Cube	8300.0	1610.15	1614.15	Contact customer care service	

Sistem Air customer care contacts

Mail info@sistemair.it

Tel +39 0381 650082

WhatsApp +39 340 4090146



DOWNLOAD
FULL MANUAL

