


Vacuum unit Tecno Prime

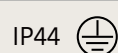
Area of use:
domestic
home, villas, stores



Maximum surface to be cleaned: **450 m²**

1 single user 

Pipe net Ø 50 mm



Tecno Prime is the first internet-connected central vacuum cleaner with Air Cloud personal maintenance assistant and 6-year kasko warranty.

Touch display and the innovative BiVac system offering a choice of bag or low-maintenance cyclonic filtration.

The Tecno Prime range of central vacuum cleaners is specifically designed for domestic dust extraction.

Available in four motorisations to clean surfaces up to **450m²** for system used by a single user.



Available motorisations

3110.2TPR	Tecno Prime 150	up to 150m ²
3112.2TPR	Tecno Prime 250	up to 250m ²
3113.3TPR	Tecno Prime 350	up to 350m ²
3115.3TPR	Tecno Prime 450	up to 450m ²

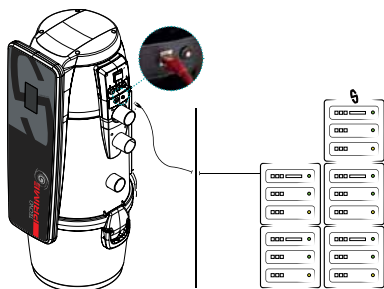


Air Cloud Maintenance Personal Assistant



Air Cloud is the heart of the Tecno Prime central vacuum cleaner: it monitors health and prevents ageing. An alert warns in the event of anomalies and you can choose whether to receive alerts directly or send them to your maintenance technician.

By keeping the Tecno Prime central vacuum always connected to the network, you get 6-year Cloud Warranty kasko warranty.



Network connection

The connection is made by connecting a Lan cable (not included) to the home network or a wireless extender.

On request, the Sistem Air wireless module art. 4202.2 is available

An active Internet connection is required for the correct operation of Air Cloud.



Wi-Fi module

Packaging 1 piece

art. 4202.2 - for Tecno Prime



Remote control

After connecting the central vacuum cleaner, using the included credentials, you access the reserved area on the aircloud-sistemair.it website where you can consult the operating status, history, receive information and have a direct line to Sistem Air.



Air Cloud access

Cloud Warranty

By keeping Tecno Prime constantly connected to the grid, you benefit from the 6-year Cloud Warranty.

The Cloud Warranty covers all components of the central unit and includes the supply of spare parts free of charge, excluding filters and bags. Only transport and assembly costs remain the responsibility of the customer.

A copy of the full regulations is available by accessing the reserved area or at the end of this catalogue see the Guarantees section.

Smart computer for maintenance

From the touch display it is possible to access the functions dedicated to installation. Through tests, it is possible to verify the correct functioning of the installation.

In addition, maintenance intervals can be programmed, filter wear and dust emptying can be checked.



Home

Checks the system vacuum, expressed in mbar, during use



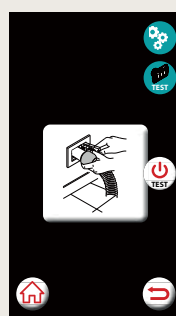
Configuration

For each alarm it is possible to set the shutdown of the control unit



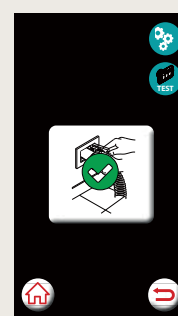
Tutorial

An animation shows how to carry out maintenance



Test

Performs a micro line diagnosis for each inlet valve

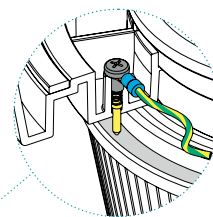
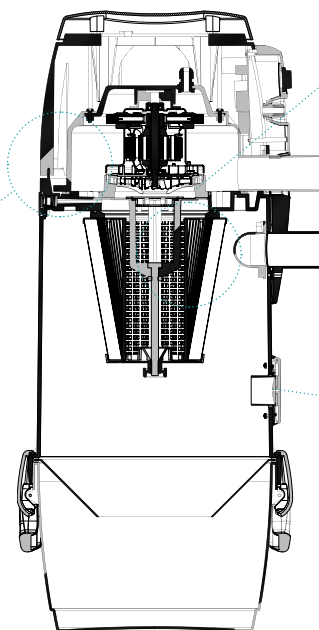
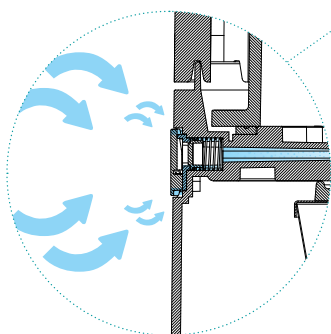


Result

The computer provides an answer as a result of the test performed

Antistatic filter and vacuum breaker valve

The **vacuum breaker** valve opens automatically, supplying air to the motor when the inlet flow from the intake pipe is reduced or absent, anticipating the intervention of the thermal protection.



The filter is free from static charges thanks to its connection to the plant's grounding system. The inverted conical shape of the filter, allows everything that has settled on its surface to fall into the dust container. **Washable and class M certified.**



On the body, there is an inlet valve that allows you to clean rooms adjacent to the point of installation (e.g., garages, basements, etc...). It is activated from the display of the central vacuum cleaner.

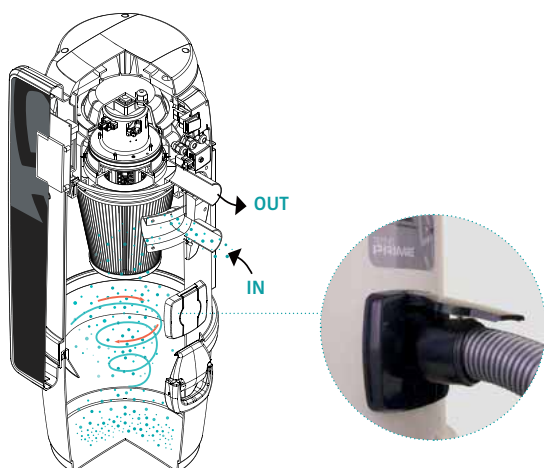
BiVac: choice of cyclonic or bag filtration

Tecno Prime comes complete with the BiVac kit required to choose between two filtration options during installation.

1 Cyclonic filtration

The suctioned dust is filtered and separated from the air by the cyclone and falls into the dust container.

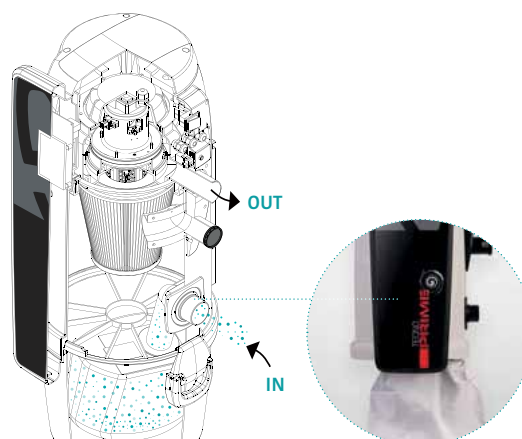
With this configuration it is possible to use the suction outlet on the machine.



2 Bag filtration

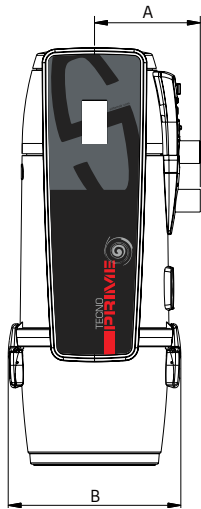
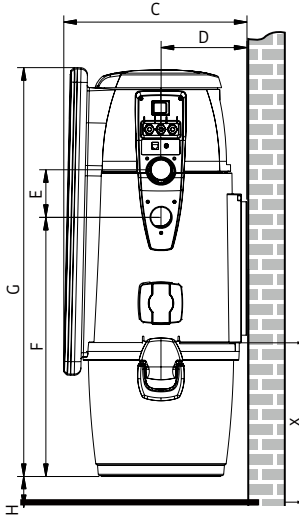
The microfiber bag retains the sucked dust making filter cleaning unnecessary.

With this configuration, the on-board valves is omitted.



Measures and technical data table

It is recommended to **choose the model of the Tecno Prime central vacuum cleaner according to the total area to be cleaned**, to ensure maximum durability and performance over time.



MODEL		Tecno Prime 150	Tecno Prime 250	Tecno Prime 350	Tecno Prime 450
ARTICLE		3110.2TPR	3112.2TPR	3113.3TPR	3115.3TPR
Recommended aspirant outlets		4	7	11	16
Max. surface to be cleaned		150m²	250m²	350m²	450m²
Operators		1	1	1	1
Micro-dust vent		yes	yes	yes	yes
Computer maintenance		yes	yes	yes	yes
Air Cloud		yes	yes	yes	yes
Air inlet/Air discharge	Ø mm	50	50	50	50
On board inlet valve		yes	yes	yes	yes
Degree of protection	IP	44	44	44	44
Power supply	V ac	220/240	220/240	220/240	220/240
Frequency	Hz	50/60	50/60	50/60	50/60
Motor power	kW	1,25	1,35	1,45	1,50
Absorption	A	5,0	5,6	6,3	6,5
Inlet valve power supply	V dc	12	12	12	12
Maximum air flow rate	m ³ /h	200	234	240	180
Max. depression	mbar	274	272	310	400
Filtration class		M	M	M	M
Filter surface area	cm ²	6700	6700	6700	6700
Dust container capacity	l	21	21	21	21
BiVac bag capacity	l	18	18	18	18
Air exhaust silencer Ø 50 mm		yes	yes	yes	yes
Weight	kg	17	17	17	18
Measurement A	mm	233	233	233	233
Measurement B	mm	380	380	380	380
Measurement C	mm	412	412	412	412
Measurement D	mm	193	193	193	193
Measurement E	mm	107	107	107	107
Measurement F	mm	583	583	583	583
Measurement G	mm	919	919	919	919
Measurement H (min.)	mm	100	100	100	100
Measurement X (min.)	mm	400	400	400	400
Noise level lower than	dB(A)	70			

*Depending on the type of filtration chosen

P.N.: Rated noise values, may vary depending on environment and type of installation.

Certifications



Marking of conformity with European Community Directives.



Protection degree



Electrical insulation
CLASSE I

TECNO PRIME LINE - APPLIANCES COMPLYING WITH THE FOLLOWING STANDARDS:

- EC DIRECTIVES:
- 2006/42/CE
 - 2006/95/CE
 - 2004/108/CE

APPLIED HARMONISED STANDARD:

- EN 60335-1 : 2012
- EN 60335-2-2 : 2010
- EN 61000-3-2 : 2006 + A2 : 2009
- EN 61000-3-3 : 2008
- EN 55014-1 : 2006 + A1 : 2009
- EN 55014-2 : 1997 + A2 : 2008
- EN 62233: 2008

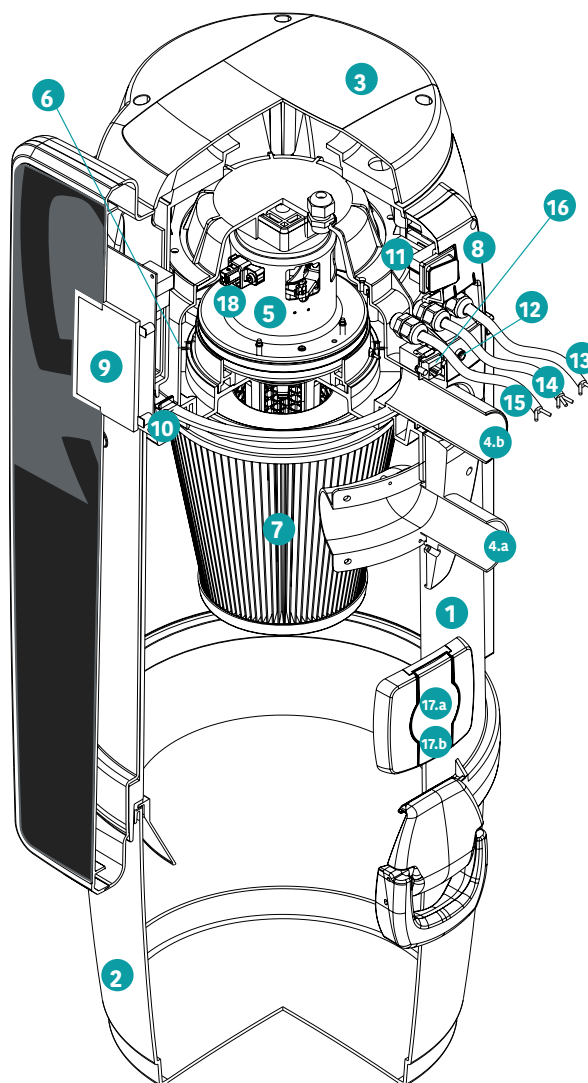
ROHS DIRECTIVE 2002/95

Compliance to REACH directives

P.N.: strictly adhere to the regulations in force for installation

Technical features and section

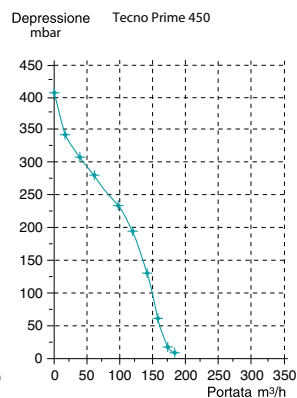
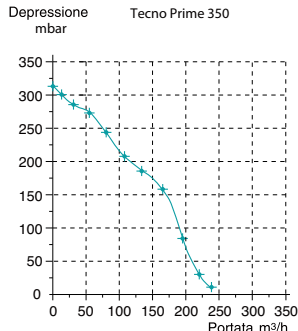
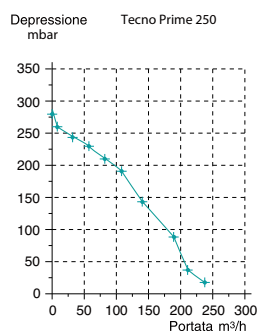
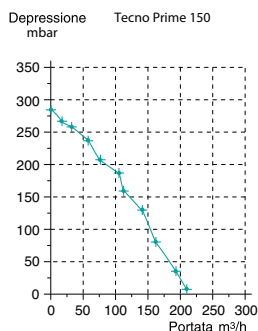
1. Self-supporting cylindrical polypropylene and ABS shell
2. 21 l polypropylene dust container with PA6 nylon handles
3. Soundproof engine bay
- 4.a System connection, dust inlet - with cyclonic filtration
- 4.b Exhaust connection, air outlet
5. Motor-impeller assembly, consisting of single-phase brush-type electric motor and impeller pack
6. Vacuum breaker valve
7. Antistatic conical filter class M
8. Double protection electric control board, with fuses both on the main and secondary circuit
9. On-board touch screen computer
10. Pressure transducer for detecting the efficiency status of the filter and full bag
11. Soft Start electronic board for soft engine start
12. Safety temperature sensor protection requiring manual reset
13. 12 V dc inlet valve power supply
14. Power supply cable
15. Auxiliary signal cable
16. Ethernet socket for Air Cloud internet connection
- 17.a On board inlet valve - only with cyclonic filtration
- 17.b Dust inlet - only with bag filtration
18. Thermal switch with automatic reset



.....

Tecno Prime includes the BiVac conversion kit for the choice of filtration, silencer and pipe connection sleeves and is compatible with all Sistem Air cleaning accessories.

Performance Graphs



Basic installation principles

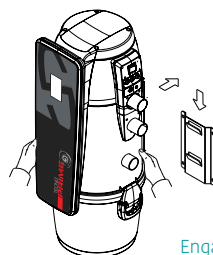
The following are the basics for the correct installation of the Tecno Prime central vacuum cleaner. The IP44 degree of protection allows outdoor installation as long as it is protected from the weather.

In the case of a building on several levels, we recommend installation always on the lowest level. If this is not possible, a motorisation higher than the actual cleaning surface must be used.

Fixing the vacuum unit

Tecno Prime is supplied complete with a steel bracket for wall mounting.

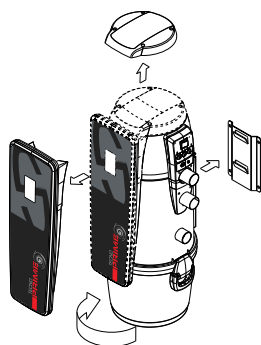
N.B. it must be fixed so that the dust container is more than 10 cm above the ground



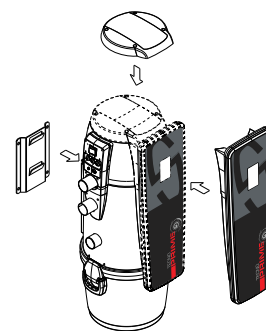
Engagement on fixing bracket

Reversibility of right/left connections

The Tecno Prime line is designed for easy connection of the IN inlet and OUT outlet to the pipe network, either left or right.



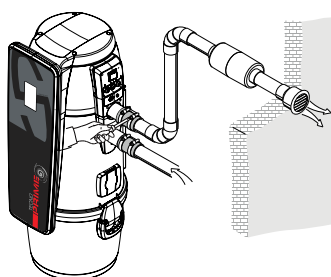
IN/OUT arranged on the right



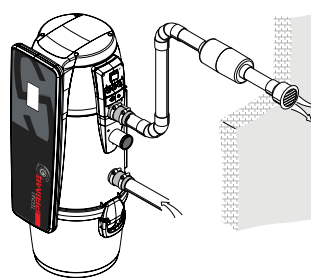
IN/OUT arranged on the left

Connection to the pipe net

Connection to the piping network is via the vibration-damping sleeves and clamps supplied. Tecno Prime is also supplied complete with a Ø 50 mm air outlet silencer.



Configuration with cyclonic filtration

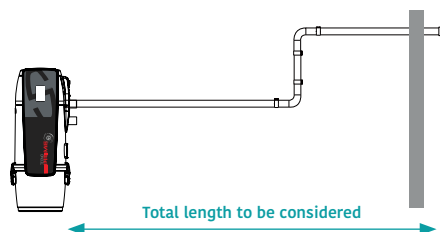


Configuration with bag filtration

Air outlet sizing

The air outlet must be dimensioned according to the length of development, strictly adhering to the indications given in the table, in order to create optimal conditions for the expulsion of air.

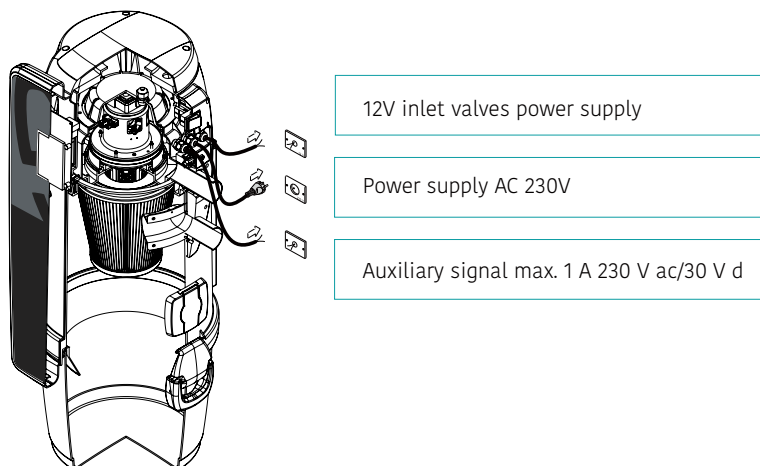
Air outlet line length	Diameter Ø
max 4 m	50 mm
over 4 m	63 mm



Use the same diameter along the entire length of the drain. Example:
 3.5 m long outlet = all Ø 50 mm
 8 m long outlet = all Ø 63 mm

Electrical connection

To connect the Tecno Prime central vacuum cleaner correctly to the mains, follow the instructions in the diagram below. For further details, please refer to the technical manual.



Spare parts table

The spare parts available for Tecno Prime central vacuum cleaners are listed below.

Model	Article	Filter cartridge	Silencer venting	BiVac bags	Electronic board	Motor
Tecno Prime 150	3110.2TPR	1610.0R	110001	1614.5	Contact customer care service	
Tecno Prime 250	3112.2TPR	1610.0R	110001	1614.5	Contact customer care service	
Tecno Prime 350	3113.3TPR	1610.0R	110001	1614.5	Contact customer care service	
Tecno Prime 450	3115.3TPR	1610.0R	110001	1614.5	Contact customer care service	

Sistem Air customer care contacts

Mail info@sistemair.it

Tel +39 0381 650082

WhatsApp +39 340 4090146



DOWNLOAD
FULL MANUAL

