

Vacuum unit


Tecno Star

Dual Power

Area of use:
domestic
home, villas, stores




Maximum surface to be cleaned: **450 m²**

up to 2 users 

Pipe net Ø 50 mm



IP44 



Tecno Star Dual Power is the domestic central vacuum cleaner that allows up to 2 operators to use the system at the same time.

Semi-professional core, powered by a pair of brush motors, electronic maintenance management and provision for installation of the Autocleaner automatic filter cleaning system.

Tecno Star Dual Power is specifically designed for domestic dust extraction.

Ideal for large homes up to 450m², two-family solutions, bed & breakfasts and shops.

TECNO Star

☆☆ Dual Power

Available motorisations

3116.2TS	Tecno Star Dual	up to 450 m ²
----------	-----------------	--------------------------

Optional

3600.0U	Autocleaner	Filter self-cleaning
---------	-------------	----------------------

The solution for large spaces

Tecno Star Dual Power is extremely versatile. The two brush motors allow simultaneous suction by two operators, in the same house or in a two-family solution.

Alternatively, the suction power can be combined by activating the Turbo function by one user for an extraordinary booster effect.

A Semi-detached



Two separate $\varnothing 50\text{mm}$ systems are realised which connect into a $\varnothing 63\text{mm}$ manifold that connects to the central vacuum cleaner.

With this set-up, each household uses its own system independently, even at the same time, with only one central vacuum cleaner.



B Single-family house / b&b



The entire system is realised with $\varnothing 63\text{mm}$ tubing that is reduced to $\varnothing 50\text{mm}$ to connect the individual inlet valves.

This solution is highly recommended for installing Tecno Star Dual Power where simultaneous suction by two users in the same building is required.

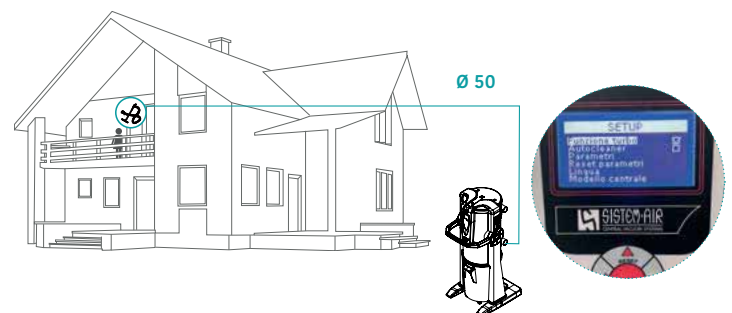


C Turbo function



When particularly powerful suction is required, the Turbo function can be activated. In this way, the suction power ergogated by both motors is utilised.

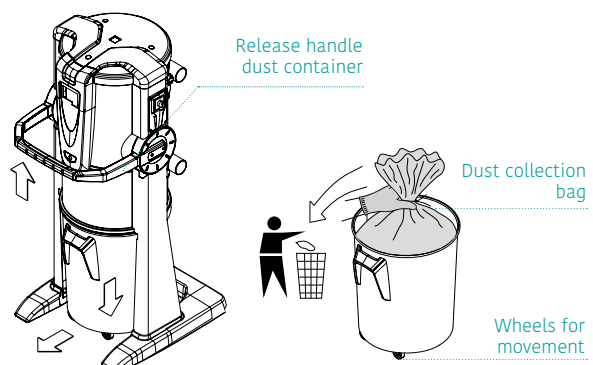
The Turbo function can only be used with a single user.



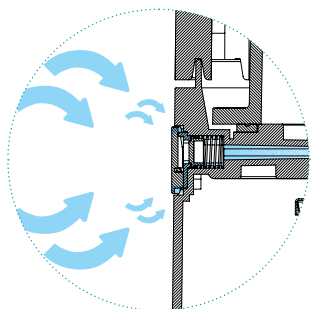
Powder container on wheels

The Tecno Star Dual Power dust container is complete with wheels that allow it to be moved to the emptying point with the greatest of ease.

It is equipped with a simplified release system, with a handle covered in shockproof material, which allows the dust container to be emptied effortlessly.



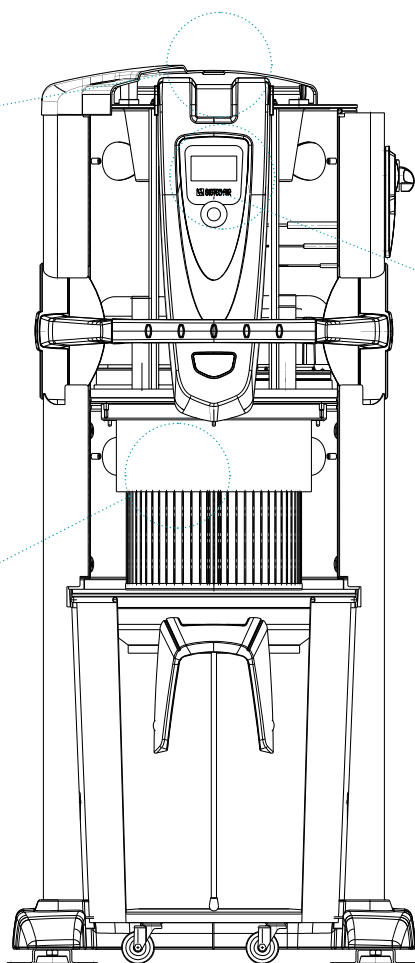
Excellent in all aspects



The **vacuum breaker valve** opens automatically, supplying air to the motors when the inlet flow from the inlets is reduced or absent, anticipating the intervention of the thermal protection.



A galvanised steel **filter protection flange** is attached to the body of the central vacuum cleaner. The protection ensures the safety of the filter cartridge even when sucking in large amounts of dust or in the presence of irregular residues.



The **electronic board** with microprocessor connected to the pressure sensors can provide real-time readings. Tecno Star Dual Power detects:

- dust container filling
- filter wear status
- general system efficiency level
- vacuum value in the system
- scheduled maintenance
- hours of switch-on
- power consumption

Automatic filter cleaning system Autocleaner

Tecno Star Dual Power is prepared for installation of the Autocleaner system, art. no. 3600.0U optional to be purchased separately, for automatic filter cleaning, for more details see Autocleaner section pag. 41.



Autocleaner

Packaging 1 piece

- art. 3600.0U - automatic filter cleaning for Tecno Star

The system delivers a powerful jet of compressed air at programmed intervals that passes through the filter in the opposite direction to the suction.

In this way the dust that has settled on the walls and between the folds of the filter will detach and be free to fall into the dust collection dust container.

Autocleaner can also be fitted after installation of the vacuum unit.

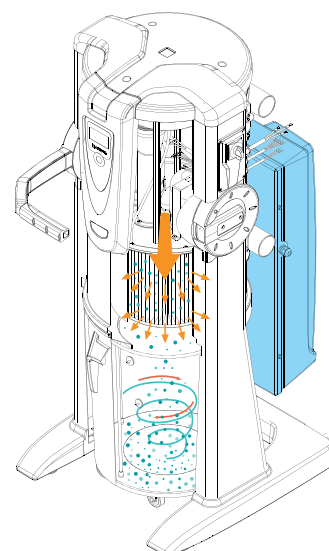
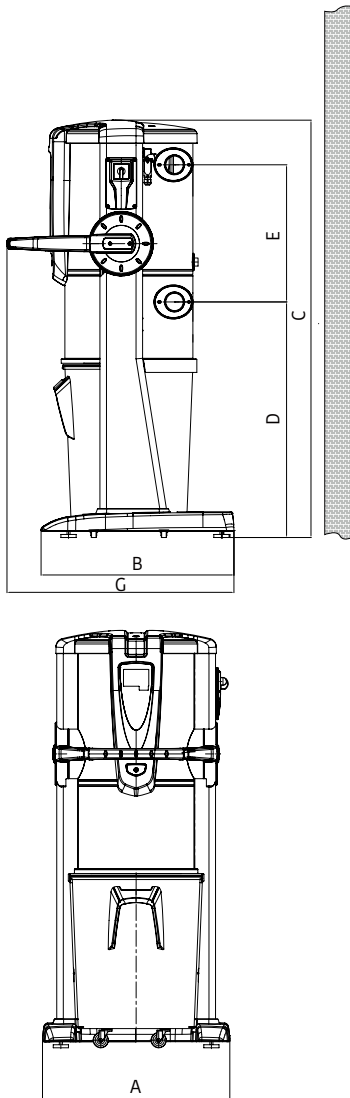



Table of measurements and technical data

Below are the technical and performance data of the Tecno Star Dual Power central vacuum cleaner.



MODEL	Tecno Star Dual Power	
ARTICLE	3116.2TS	
Recommended aspirant outlets	16	
Max. surface to be cleaned	450m²	
Operators	1 + 1	
Micro-dust vent 	yes	
On-board inlet valve	NO	
Air inlet/Air outlet	Ø mm	63
Degree of protection	IP	20
Power supply	V ac	220/240
Frequency	Hz	50/60
Motor power	kW	1,35 x 2
Absorption	A	11,2
Power supply sockets	V dc	12
Maximum air flow rate	m3/h	390
Max. depression	mbar	285
Filter surface area	cm ²	17000
Filtration class	M	
Dust container capacity	l	62
Air vent	yes	
Air exhaust silencer	Ø 63 mm	yes
Weight	kg	55
Measurement A	mm	615
Measurement B	mm	633
Measurement C	mm	1369
Measurement D	mm	773
Measurement E	mm	450
Measurement F	mm	745
Measurement G	mm	600
Noise level with 1 motor	dB(A)	64
Noise level with 2 motor	dB(A)	69

P.N.: rated noise values, may vary depending on environment and type of installation.

Certifications



Marking of conformity with European Community Directives.



Protection degree IP



Degree of electrical insulation
CLASS I

TECNO PRIME LINE - APPLIANCES COMPLYING WITH THE FOLLOWING STANDARDS:

RELEVANT EEC DIRECTIVES:

- 2006/42/CE
- 2006/95/CE
- 2004/108/CE

APPLIED HARMONISED STANDARDS:

- EN 60335-1 : 2012
- EN 60335-2-2 : 2010
- EN 61000-3-2 : 2006 + A2 : 2009
- EN 61000-3-3 : 2008
- EN 55014-1 : 2006 + A1 : 2009
- EN 55014-2 : 1997 + A2 : 2008
- EN 62233 : 2008

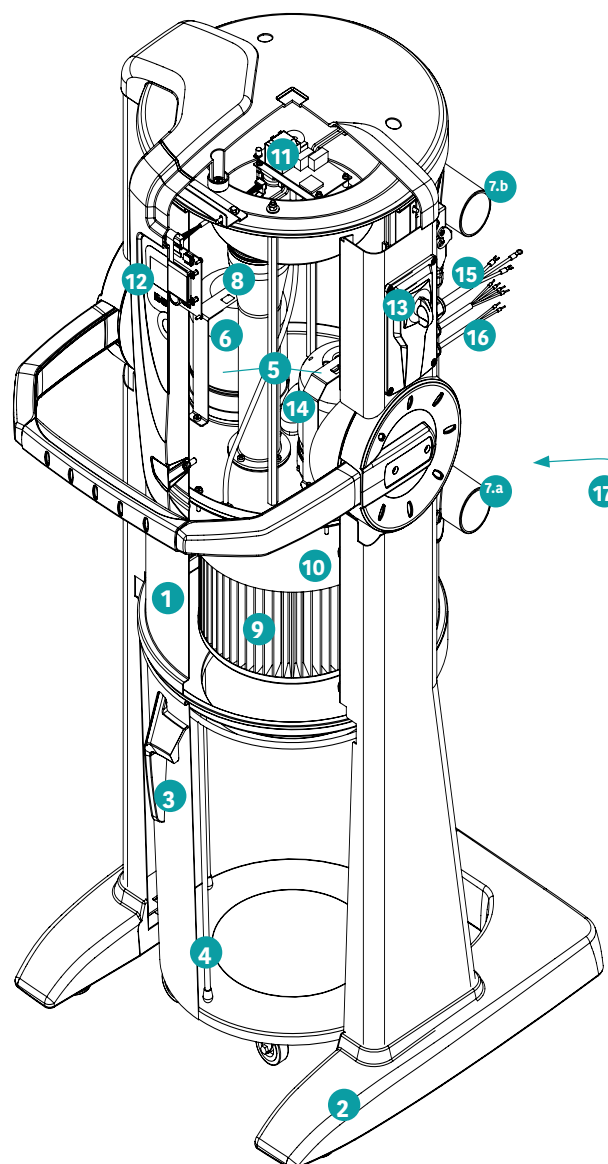
ROHS DIRECTIVE 2002/95

COMPLIANCE TO REACH DIRECTIVES

N.B.: strictly adhere to the regulations in force for installation

Technical characteristics and section

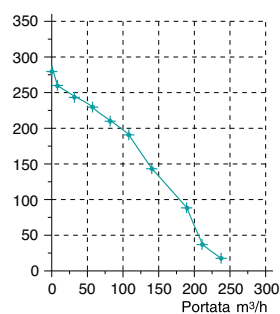
1. Cylindrical epoxy powder-coated shell
2. Shock-proof coated base
3. 62 l metal dust container on wheels
4. Bag tightner
5. Motor-impeller unit, consisting of single-phase electric motor with brushes and impeller pack
6. Soundproofing for each individual motor
- 7.a System connection, dust inlet
- 7.b Exhaust connection, air outlet
8. Vacuum breaker valve
9. Class M filter cartridge
10. Filter protection flange
11. Dual-protection electronic control board with fuse-disconnect holders on both primary circuit and secondary
12. On-board computer
13. Soft Start electronic board for soft engine start
14. Thermic switch with automatic reset
15. Power supply cable
16. Auxiliary signal cable
17. Arrangement for Autocleaner automatic filter self-cleaning system



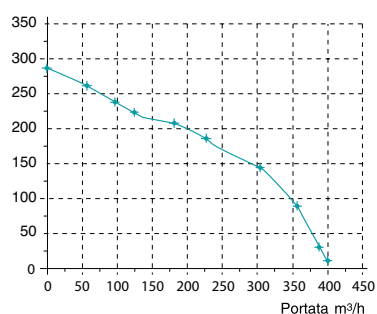
Tecno Star Dual Power includes the silencer and pipe connection sleeves and is compatible with all Sistem Air cleaning accessories.

Performance Graphs

Depressione mbar Tecno Star Dual Power
1 motore attivo



Depressione mbar Tecno Star Dual Power
2 motori attivi

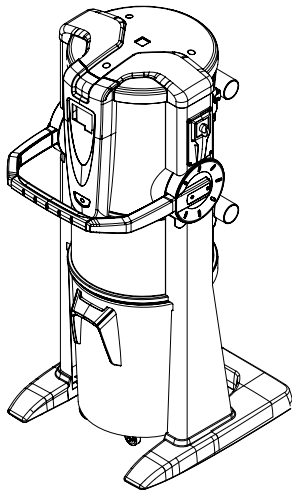


Installation Basics

The following are the basic notions for the correct installation of the Tecno Star Dual Power central vacuum cleaner. The room chosen for the installation must be protected from the weather, humidity and excessive changes in temperature as well as away from heat sources.

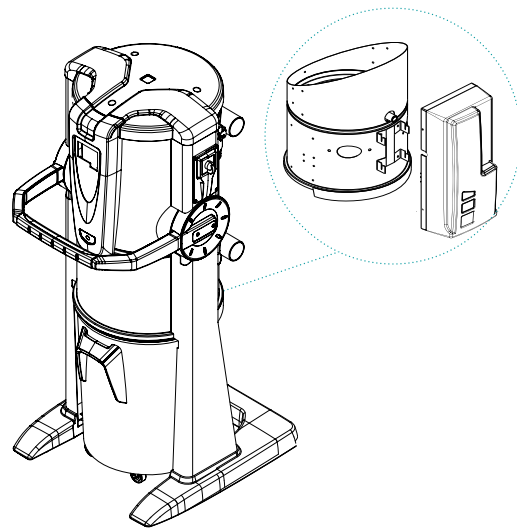
Fixing the vacuum unit

The vacuum unit does not require anchoring as long as the supporting surface is solid, vibration-free and not uneven.



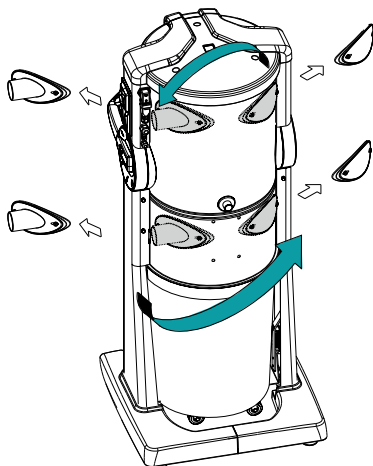
Autocleaner connection (optional)

When installing the Autocleaner Art. 3600.0U self-cleaning system, provide a minimum distance from the wall of 50 mm for possible dismantling.



Reversibility of right/left connections

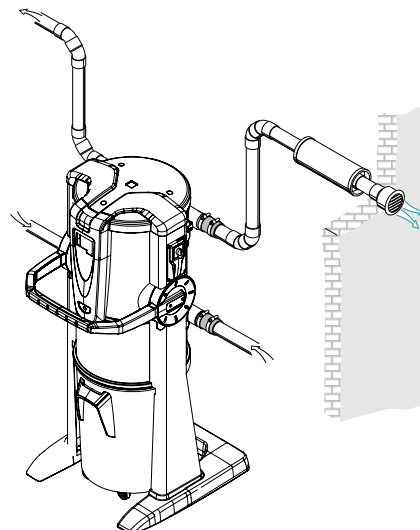
Tecno Star Dual Power is designed to easily connect the IN input and OUT output to the pipe network, either left or right.



Connection to the pipe network

Connection to the piping network is via the vibration-damping sleeves and clamps supplied.

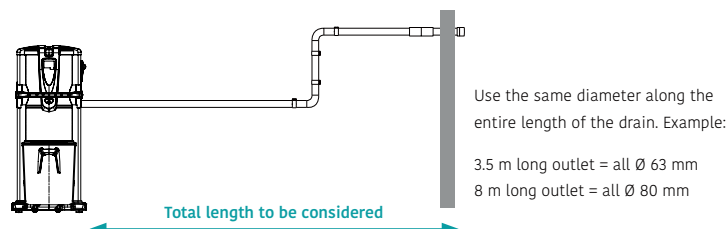
Tecno Star Dual Power is also supplied complete with air outlet silencer \varnothing 63 mm.



Air outlet sizing

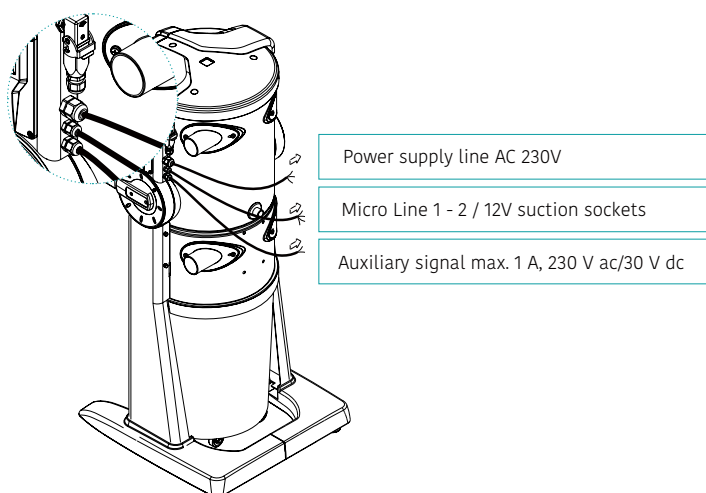
The air outlet must be sized to the length of development by strictly adhering to the indications given in the table, in order to create optimal conditions for air expulsion.

Air outlet line length	Diameter Ø
max 6 m	63 mm
over 6 m	80 mm



Electrical connection

To make the correct mains connection of the Tecno Star Dual Power central vacuum cleaner, follow the instructions shown in the diagram. For further details, please refer to the technical manual.



Spare parts table

The spare parts available for the Tecno Star Dual Power central vacuum cleaner are listed below.

Model	Article	Filter cartridge	Silencer venting	Bags universal	Electronic board	Motor
Tecno Star Dual Power	3116.2TS	1610.7	110002	1614.2	Contact customer care service	

Sistem Air customer care contacts

Mail info@sistemair.it

Tel +39 0381 650082

WhatsApp +39 340 4090146

DOWNLOAD
FULL MANUAL



TECNO Star
* * Dual Power