

Unmatched comfort

Cleaning with a Sistem Air central vacuum cleaner means achieving an unmatched level of convenience, lightness and practicality. Every element has been designed to facilitate cleaning without compromise.

Ergonomic handgrip

Designed for the hands. Relieves the weight of cleaning on the ground, preventing fatigue.

No fatigue

Up to 45% lighter than previous generations.

Professional flexible hose

Manufactured from spiralised Eva without reinforcement, the hose is resistant to permanent deformation and allows bends without constrictions.

Long and extra long

The hose is available in 7m and 9m, so you can get everywhere with no effort.

Twist connection

The hose-inlet connection rotates 360° to accommodate cleaning movements and avoid hose kinks.



Wireless or standard: choose how to use the system

The convenience of switching on directly from the handgrip or the essentiality of the traditional system. The solutions for managing your central vacuum cleaner system.

Flisy 2 - on/off wireless



It is immediately recognisable by its **pure white colour** and the crystal button in the middle of the handgrip.

Flisy 2 is the wireless on/off system designed by Sistem Air to switch the system on and off at the touch of a button. As often as you like.

Standard

The **grey dolphin** handgrip characterises the traditional system for switching the system on and off.

By inserting the hose into the inlet, suction starts. At the end of cleaning operations, simply remove the hose from the inlet to switch the system off.



The Flisy 2 on/off system



Flisy 2 is a 433.92 MHz radio frequency-based system that **allows the centralised Hoover system to be switched on and off directly from the button on the handgrip.**

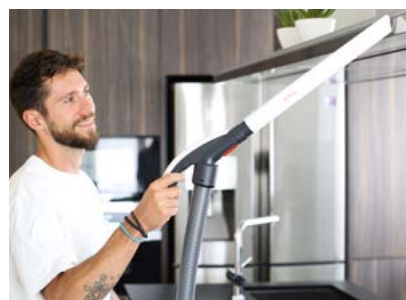
The technology developed by Sistem Air puts the transmitter board located in the handgrip and the receiver board in the hose-inlet connection into communication. This makes it possible to manage the vacuum cleaner system at any time, without having to disconnect the hose from the inlet valve as is the case with the standard system.

Area of use:
for installations with max. 1 user

IP40 Wireless 

Flisy 2 is available in the following codes

7039.10W	Flisy 2 fitting
7037.7W - 7037.9W	Wireless hose 7 m or 9 m
7530.7W - 7530.9W	Basic wireless cleaning kit 7 m
7532.7W - 7532.9W	Smart wireless cleaning kit 7 m
7531.9W	Deluxe wireless cleaning kit 9m



1 Operation

Cleaning play

To start cleaning, simply insert the Flisy 2 hose into the inlet valve.

The system will start immediately, without the need to do any further work.

Pause the cleaning

With Flisy 2, simply press the rubber button in the center of the handgrip to stop or restart vacuuming.

An added comfort to be able to better manage your centralized vacuum cleaner system.

Pit stop for changing accessories

The convenience of Flisy 2 allows you to quickly change brushes and cleaning accessories, simply by switching off the system from the button.

Everything is always at hand, for vacuuming from ceiling to floor.

Able to run any marathon

Flisy 2's rechargeable lithium-ion batteries have an almost infinite lifespan. The system only uses energy when you press the button to switch it on and off.

After many clean sessions, it will only need a quick recharge by plugging into a simple USB inlet.

It is recommended not to leave the hose plugged into the vacuum socket when not in use so as to avoid lowering the batteries.

2 Technical characteristics

Transmitter module

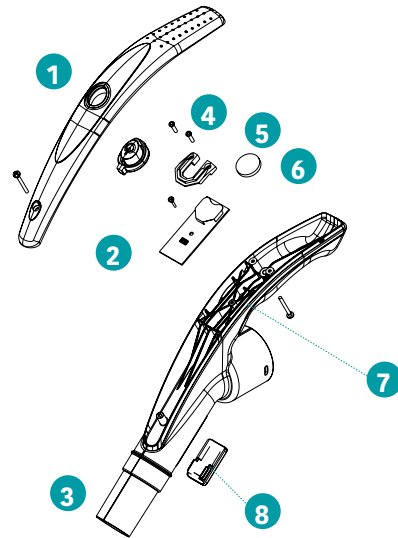
1. Embossed grip cover
2. Digital card transmitter module
3. Flisy 2 plastic handgrip
4. Rubber on/off led crystal button
5. Battery holder
6. CR2032 Battery
7. Reinforcement ribs
8. Pressure regulator

Receiver module

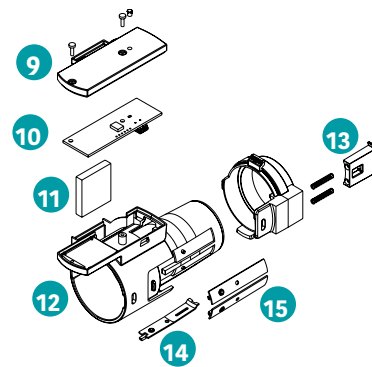
9. Embossed cover inlet pipe connection
10. Digital card receiver module
11. Mhz 433.92
12. Po-ly rechargeable lithium battery
13. Vdc 400mAh 3.7V
14. Vdc min 3.2 V dc
15. I-max 22 mA (~30h)
16. I-sniiff 11 mA (~ 60h)
17. I-sleep 0,004 mA
14. Flisy 2 inlet hose connection
15. Positioning cursor
16. Receiver module activation contact
17. Micro line contact

Flisy 2 includes the mini-usb cable for charging the lithium battery, the necessary equipment to connect the fittings to the hose, and is compatible with all Sistem Air cleaning accessories.

Handgrip - transmitter module



Inlet pipe connection - receiver module

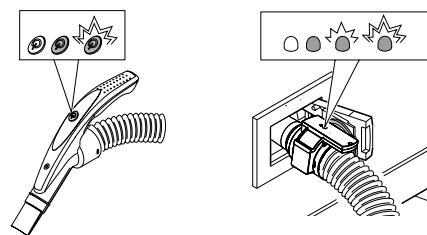


3 Easy communication

LED signalling

Flisy 2 is equipped with an intelligent LED communication system that assists the user by warning him or her when the battery needs recharging.

Even with a completely discharged battery it is possible to use the vacuum cleaner.



4

Distinctive features

Universality

The system is compatible with all central vacuum cleaner systems as the receiver start contact is normally open

No need for Wi-Fi network

Flisy 2 operates a radio-frequency-based system between the transmitter module board and the receiver board, without using any external wireless connections.

It is the pipe that is wireless and not the suction unit

Sistem Air has designed Flisy 2 to always guarantee optimum coverage of the on/off signal. The wireless connection is guaranteed by the communication between the boards in the fittings and not by other elements in the system, such as the central vacuum cleaner, which may be outside the maximum coverage range.

Possibility of retrofitting

Flisy 2 can be integrated on any ø32 mm household hose at any time to benefit from wireless on/off. Simply order item 7039.10W, see page 121.

No interference

The command is transmitted at short range without disturbing other systems using radio signals so as not to cause any interference.

360° rotatable fittings

To assist cleaning and avoid kinking of the hose, the Flisy 2 fittings rotate 360°, making the movements smooth and light.

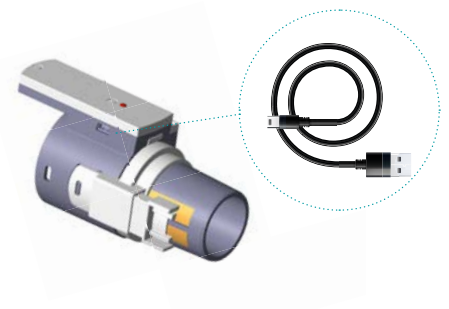
Rechargeable and energy-saving

The bistable relay allows reduced battery consumption in the fitting. The lithium battery is rechargeable with the supplied mini-usb.

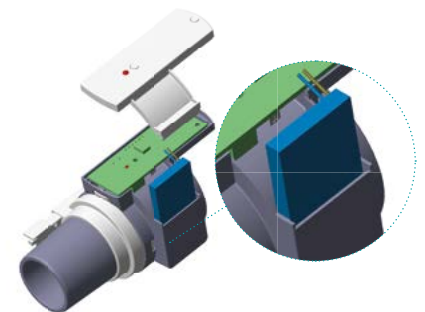
It is recommended not to leave the hose plugged into the vacuum outlet when not in use so as to avoid draining the batteries.



The connection is made through the electronic boards



Easy charging with mini-usb cable



Built-in rechargeable lithium battery

5

Alone, combined or with cleaning kit

From a single handgrip to complete kits for perfect cleaning. Flisy 2 is available in different solutions to meet all requirements.



Flisy 2 fittings



Flexible hose Flisy 2



Flisy 2 cleaning kit