

System Tech Flisy 2



System Tech Flisy 2 **remotes the receiver to allow the central vacuum system to be switched on and off.** The system operates by radio frequency at 433.92 MHz and does not require batteries.


The technology developed by Sistem Air connects the transmitter located in the handgrip and the receiver located in a junction box. **System Tech Flisy 2 finds particular application with the Sense retractable tube system.**



Tutorial
System Tech Flisy 2

Scope of use:

for installations with max. 1 user

Handle IP40	Wireless with remote receiver 
Receiver IP00	

System Tech Flisy 2 is available in the following codes

7039.4W	System Tech Flisy 2 handgrip and receiver
3301.12	System Tech Flisy 2 receiver



Distinctive features

Operation

The system consists of a handgrip with an integrated transmitter and a receiver board connected to one or more inlet valves.

If several receivers are required, one handgrip can be used for all cards.

Ideal with Sense

System Tech Flisy 2 brings wireless on/off control to the Sense retractable hose system in no time.

Simply place the receiver board inside the wiring compartment and you can immediately start enjoying the Flisy 2 wireless experience.

Up to 15 metres of coverage

The signal emitted by the transmitter allows coverage of up to 15 metres within the home. This means that System tech Flisy 2 guarantees signal efficiency at all times.

For maximum reception, pay attention to elements that can shield the signal or reduce possible interference.






Receiver installed in the backplate of the Sense system

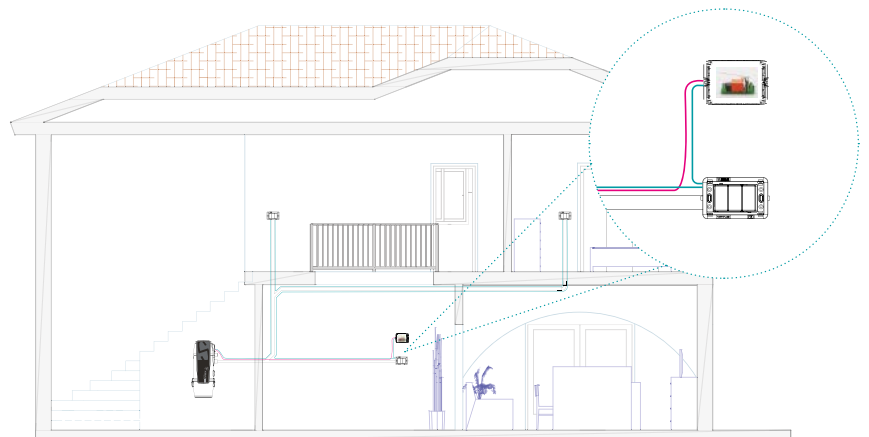


Standard inlet hose connection used with System Tech Flisy 2

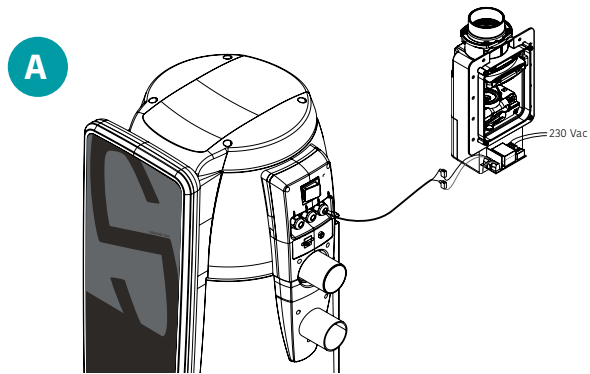
Degree of signal penetration through materials

Dry material	Penetration
Wood, plaster, plasterboard	Approx. 90%
Bricks, masonite panels	Approx. 70%
Reinforced concrete	Approx. 30%
Metals, metal grating, aluminium	Approx. 10%
Rain, snow	Approx. 0-40%

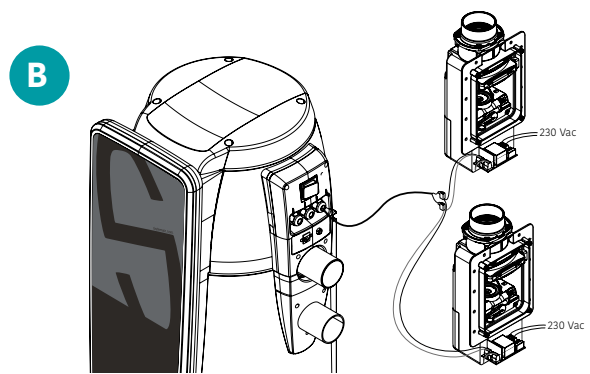
Scheme legend
 Micro central vacuum system
 Micro inlet valves line
 Pipe net



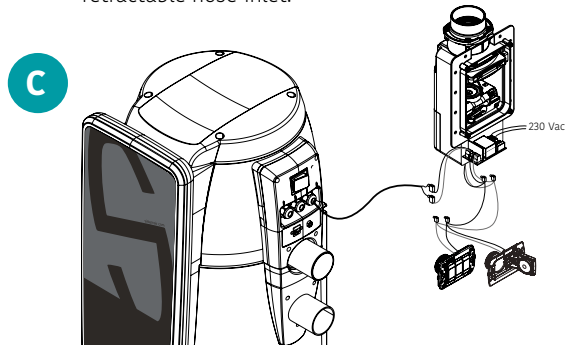
Different installation options



System Tech Flisy 2 connection with a Sense retractable hose inlet.

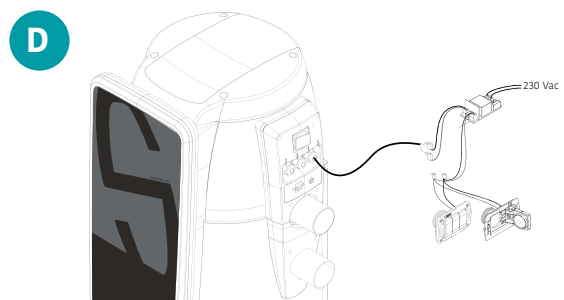


Connection of two receivers and a System Tech Flisy 2 handle on a multi-sense system.



System Tech Flisy 2 connection with mixed Sense/standard system*.

*Make sure that the distance between the receiver installed in the Sense compartment and the standard inlets is < 15m for correct signal reception. Alternatively, set up two receivers.



System Tech Flisy 2 connection with standard system.

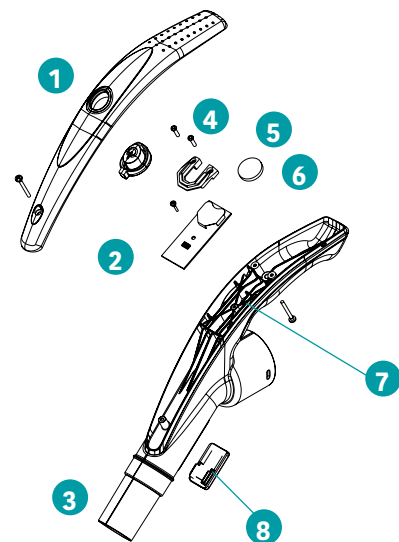
Transmitter module

1. Embossed grip cover
2. Digital card transmitter module
3. Flisy 2 plastic handgrip
4. Rubber on/off led crystal button
5. Battery holder
6. CR2032 battery
- Vdc 3 V 210 mA
- Vdc min 2.6 V dc
- In 700 μ A
7. Reinforcement ribs
8. Pressure regulator

Receiver

9. Receiver board
- Mhz 433.92
- Vac 110-230Vac
- Vac min 90 V ac
- Vac max 260 V ac
10. Connection for mains power supply
11. min 90 Vac - max 260 Vac
12. Protection fuse T1A delayed
13. Connection for suction activation and inlets without Flisy 2 handgrip control
14. Connection for inlet with Flisy 2 handgrip control
15. RF antenna

Handgrip - transmitter module



Electronic Board - Receiver

