



Retractable hose system

Sense by Sistem Air is the retractable hose system that makes **cleaning practical and light**, amplifying the central vacuuming experience to the maximum.

The user can choose a system that eliminates the inconvenience of the hose, optimising the installed vacuum inlet, and enhancing the design of the room, thanks to the high-tech finish of the covers in **perfect Sistem Air style**.

Area of use:

suitable for all central vacuum systems



Wireless (optional)

The new age of cleaning

The Hoover fits in a drawer



The Sense retractable hose system eliminates hose inconvenience. This way, the Hoover and all accessories are always ready for use and conveniently stored in small spaces.



Lightweight



Sense is a system designed to experience only the convenience of central vacuuming.

Cleaning is ultra-light and you no longer need to move the hose around the house. It will just follow you around.



Wireless Flisy 2 (optional)

When there is a need to switch the system on or off, Flisy 2 allows you to do so with a simple button on the handgrip.

No need to run from room to room to stop the suction.

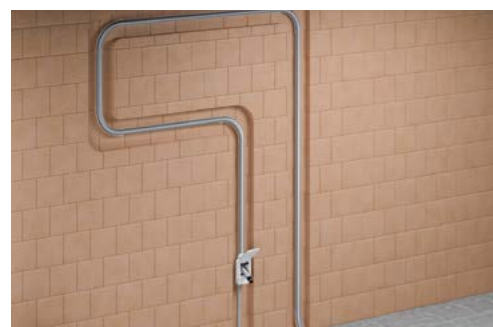


Back into the wall



The cleaning hose does not roll up or disappear, it simply goes back into the tube net installed in the wall thanks to the suction force.

The Sense hose always remains ready for cleaning and retracts when it is no longer needed.

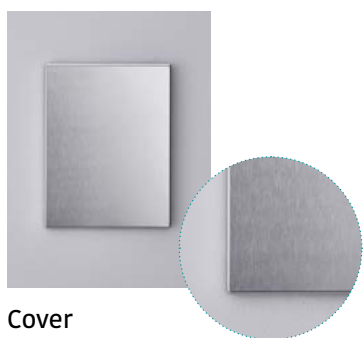




Express your personality

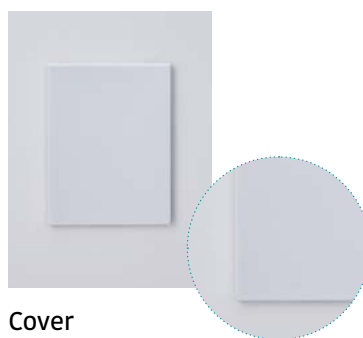
The design, created by combining a layer of pure steel with a high-strength plastic mixture, makes the Sense covers a robust design accessory, made to be experienced every day.

The cover's finish enhances the ambience in a discreet way, with the tones of brushed steel or demi-matt white. Alternatively, the room can be enlivened by choosing to paint it in a colour of your choice thanks to the special paint finish of art. 1470.2.



Cover
brushed steel

○ art. 1470.0



Cover
Demi-matt white

○ art. 1470.1



Cover
Paintable

● art. 1470.2

Innovation and strengths

Space-saving

Sense adopts the world's thinnest back box. **Only 85 mm deep**, it can be inserted even where space is at a premium, such as in plasterboard walls, partitions, wood and prefabricated structures.

Perfect positioning

The cover has 4 slots to correct any misalignment of the counter grip. In this way, the finishing cover will always be aligned for extreme aesthetic perfection.

85 mm



Counterweight thickness



Positioning slots

Wiring space

A special compartment has been cut out on the Sense backplate to provide **ample space for electrical connections** (Figure a).

This makes it possible to use the space for wiring or to insert the System Tech Flisy 2 receiver (Figure b).



a. Standard installation



b. Wireless installation

Wireless switching on and off

As an option, Sense brings on/off technology to systems with retractable pipe, fully integrated.

It is possible to make the pipe wireless with Sistem Air's Flisy 2 technology by using the handgrip and installing the System Tech Flisy 2 receiver in the counter socket (Figure c).



c. Operation of System Tech Flisy 2

Choice of hose

The Sense system hose is available in three different lengths to cover the entire surface to be cleaned.

Available cut lengths are 9m, 12m or 15m.

Installation versatility

Sense has no installation limitations as the backplate can be installed with the inlet to connect to the pipework either upwards or downwards (Figure d).

Therefore, **the installation can be developed as a suspended ceiling or floor installation.**



d. Positioning for installations with ceiling pipework

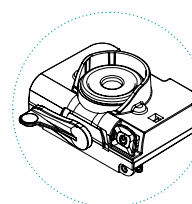


d. Positioning for installations with floor pipework

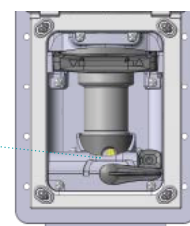
Plant sealing

The system's vacuum is guaranteed by the **piston mechanism designed by Sistem Air**. In this way, the installation of the backup box has been considerably simplified, leaving the cover with only an aesthetic and protective function, rather than a sealing function.

This mechanism is **only present on Multi Sense art. 1450.32** to guarantee the tightness of the system even in the presence of several inlet valves.



Piston mechanism



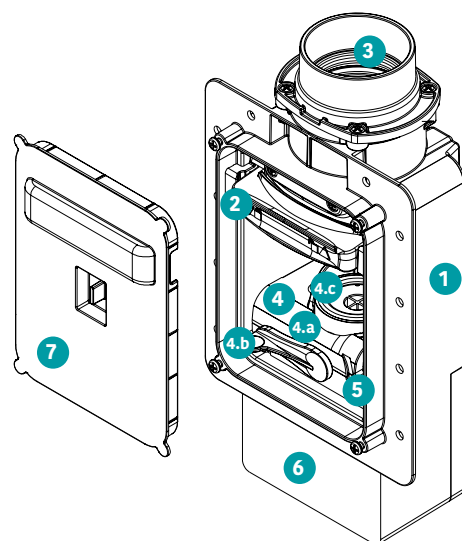
Technical characteristics and section



Video of in-depth

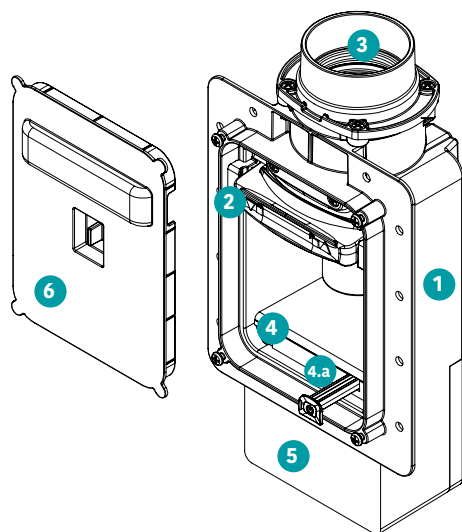
Multi Sense System

1. System Sense
2. Polycarbonate compression handle
3. Rubber gasket blocking tube
4. Multi Sense System
 - 4a. Lever movement of sealing piston with microswitch
 - 4b. ABS piston release lever
 - 4c. Multi Sense system sealing rubber
5. Suction power button
6. Electrical wiring compartment
7. Mortar cover



Mono Sense System

1. System Sense
2. Polycarbonate compression handle
3. Rubber gasket blocking tube
4. Mono Sense System
 - 4a. Acetal suction ignition lever with microswitch
5. Electrical wiring compartment
6. Mortar cover



Sense finish cover

1. Sheet steel finish
 - a. Anti-fingerprint treatment for Steel covers
 - b. Semi-matt coating for White cover
 - c. Adhesion primer for Paintable cover
2. ABS frame
3. Positioning loops
4. Pivot movement
5. 180° reinforced opening with stop system
6. Magnetic closure

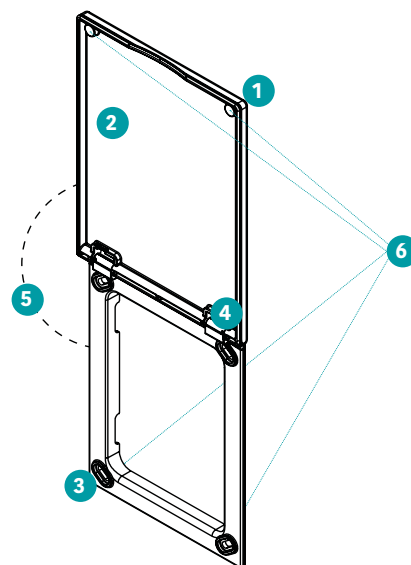
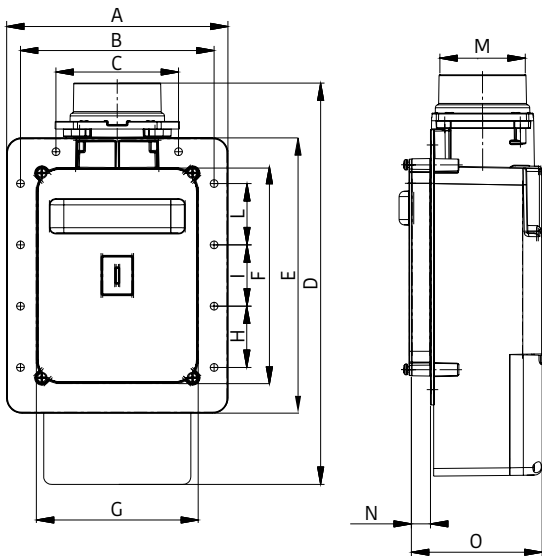
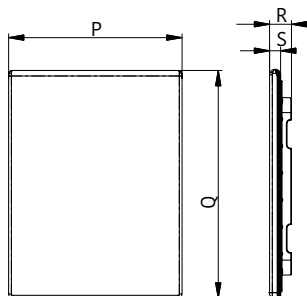


Table of measurements and technical data

Below are the technical specifications of the counter-bracket and finishing cover for the Sense retractable tube system.

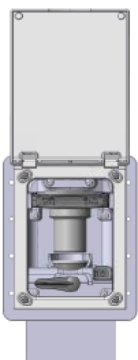


MODEL	Multi Sense	Mono Sense
ARTICLE	1450.32	1450.33
For multi-sense or mixed	✓	-
Vacuum sealing system	✓	-
Dedicated wiring compartment	integrated	
Wireless on/off control	optional	
Measurement A	mm	144
Measurement B	mm	126
Measurement C	mm	80
Measurement D	mm	262
Measurement E	mm	180
Measurement F	mm	140
Measurement G	mm	115
Measurement H	mm	40
Measurement I	mm	40
Measurement L	mm	40
Measurement M	∅ mm	51
Measurement N	mm	13
Measurement O	mm	85



MODEL	Cover Steel	Cover White	Cover Paintable
ARTICLE	1470.0	1470.1	1470.2
Finish colour	Brushed steel	Matt white	Paintable
Finish material	Steel laminated with plastic		
Measurement P	mm	129	
Measurement Q	mm	169	
Measurement R	mm	16	
Measurement S	mm	8	
Positioning slots		4	
Door opening radius		180°	
Door closure		Magnetic	
Multi and Mono Sense compatibility		✓	

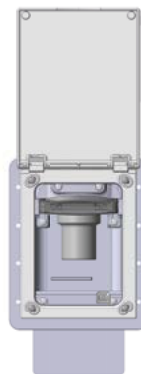
Choice of Sense System



Multi Sense
art. 1450.32

The solution for systems **with multiple Sense vacuum inlet or mixed systems.**

Includes the innovative sealing system that ensures vacuum is maintained throughout the system.



Mono Sense
art. 1450.33

Designed for systems where **a single vacuum inlet point is installed.**

It gives the possibility of choosing and using an even simpler and more convenient system where multiple inlet points are not required.

Installation material for Sense system

To install systems with the Sense system, you can choose between complete kits or loose system material.



Installation kit for 1 Sense inlet point

Packaging 1 piece

- art. 7230.0 - Multi Sense

Backplate	Cover	FF elbow 22,5° - Ø 2"	FF elbow 45° wide - Ø 2"	FF elbow 90° larga - Ø 2"	Glue 60 g	Sleeve PVC Ø 2"	Sleeve Ø 2" 50mm	Pipe net PVC
1 pz Multi Sense	1 pz White	2 pz	2 pz	3 pz	1 pz	7 pz	1 pz	16 m

Backplates and covers

Below there are finish covers and backplates for Sense retractable pipe system.

Cover Sense

Packaging 1 piece



- art. 1470.0 Steel
- art. 1470.1 White
- art. 1470.2 Paintable



Backplate Sense

Packaging 1 piece

- art. 1450.32 - Multi Sense
- art. 1450.33 - Mono Sense

Choose Multi Sense if you plan to install several socket points or Mono Sense for installations with only one inlet point.

Installation material for Sense system by Sistem Air

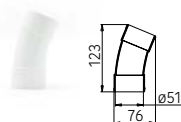
Materiale impiantistico in PVC bianco da Ø 2" specifico per l'installazione del sistema con tubo retrattile Sense.



PVC pipes m 2 bars

Packaging 20 meters

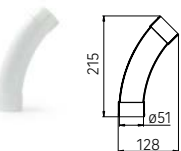
- art. 1851.0 - Ø 2" spessore mm 1,4



22.5° PVC elbow

Packaging 1 piece

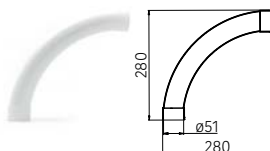
- art. 3051.6 - Ø 2" FF



45° PVC elbow

Packaging 1 piece

- art. 3051.7 - Ø 2" FF large



PVC 90° elbow

Packaging 1 piece

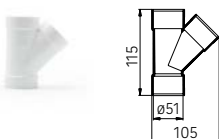
- art. 3051.8 - Ø 2" FF large



Sleeves in PVC

Packaging 20 pieces

- art. 1151.1 - Ø 2"



45° PVC drift

Packaging 1 piece

- art. 4051.2 - Ø 2" FFF



PVC sleeve with knocker

Packaging 1 piece

- art. 1150.4 - Ø 2" → 50 mm



PVC pipe clamp collar

Packaging 20 pieces

- art. 1401.0 - Ø 2"



PVC closure cap

Packaging 8 pieces

- art. 5051.1 - Ø 2"



Pre-threaded electrical conduit

Packaging 1 piece

- art. 9016.7 - 25 m
- art. 9016.0 - 50 m
- art. 9016.1 - 100 m



Glue

Packaging 5 pieces

- art. 9225.1 - 250 gr with brush
- art. 9225.2 - 500 gr with brush